

A

Sl. No. : YYY

ಒಟ್ಟು ಪ್ರಶ್ನೆಗಳ ಸಂಖ್ಯೆ : 6]

Total No. of Questions : 6]

ಸಂಕೇತ ಸಂಖ್ಯೆ : **72****CCE RR
REVISED**

[ಒಟ್ಟು ಮುದ್ರಿತ ಪುಟಗಳ ಸಂಖ್ಯೆ : 4

[Total No. of Printed Pages : 4

Code No. : 72

ಇಲ್ಲಿಂದ ಕತ್ತರಿಸಿ

ವಿಷಯ : ಇಂಜಿನಿಯರಿಂಗ್ ಗ್ರಾಫಿಕ್ಸ್ - 2

Subject : ENGINEERING GRAPHICS - 2

(ಹೊಸ ಪಠ್ಯಕ್ರಮ / New Syllabus)

(ಪುನರಾವರ್ತಿತ ಶಾಲಾ ಅಭ್ಯರ್ಥಿ / Regular Repeater)

ದಿನಾಂಕ : 23. 06. 2018]

[Date : 23. 06. 2018

ಸಮಯ : ಮಧ್ಯಾಹ್ನ-2-00 ರಿಂದ 5-15 ರವರೆಗೆ] [Time : 2-00 P.M. to 5-15 P.M.

ಪರಮಾವಧಿ ಅಂಕಗಳು : 50]

[Max. Marks : 50

General Instructions to the Candidate :

1. This Question Paper consists of 6 subjective types of questions.
2. This question paper has been sealed by reverse jacket. You have to cut on the right side to open the paper at the time of commencement of the examination. Check whether all the pages of the question paper are intact.
3. Follow the instructions given against both the objective and subjective types of questions.
4. Figures in the right hand margin indicate maximum marks.
5. The maximum time to answer the paper is given at the top of the question paper. It includes 15 minutes for reading the question paper.

TEAR HERE TO OPEN THE QUESTION PAPER

ಪ್ರಶ್ನೆ-ಪತ್ರಿಕೆಯನ್ನು ತೆರೆಯಲು ಇಲ್ಲಿ ಕತ್ತರಿಸಿ

Tear here

RR(A)-10006

[Turn over

- Instructions :*
- i) Answer *all* the questions.
 - ii) Retain the constructional details.
 - iii) All dimensions are in mm.
 - iv) Use first angle projection only.
 - v) Missing dimensions may be assumed.
 - vi) All drawings should be drawn in drawing sheet only.

1. Draw the isometric projection of square lamina of 35 mm side when its surface placed vertical and horizontal. 5
2. With a neat sketch show the proportions and angle of the following threads :
 - a) Buttress thread
 - b) Knuckle thread. 5
3. Draw the projections of a cylinder of 40 mm diameter and 70 mm long axis when it is lying on H.P. with axis inclined at 45° and parallel to V.P. 10
4. Front and left hand side views of a casting are shown in figure No. 1. Draw its isometric view. 10

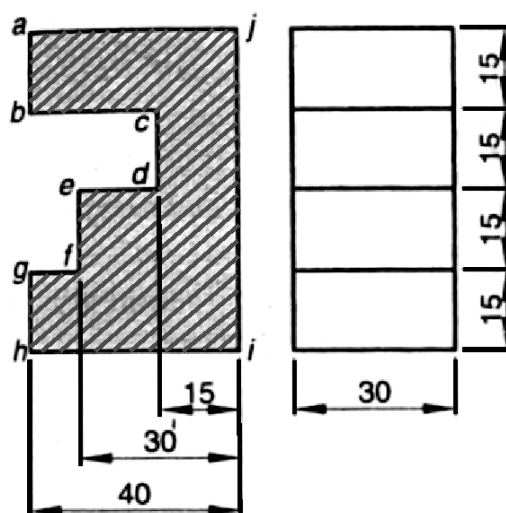


Figure No. 1

RR(A)-10006

5. The pictorial view of an object is shown in figure No. 2. Draw the following orthographic views and mark the dimensions : 10
- Front view — looking in the direction of arrow 'X'
 - Top view — looking in the direction of arrow 'Y'
 - Side view — looking in the direction of arrow 'Z'.

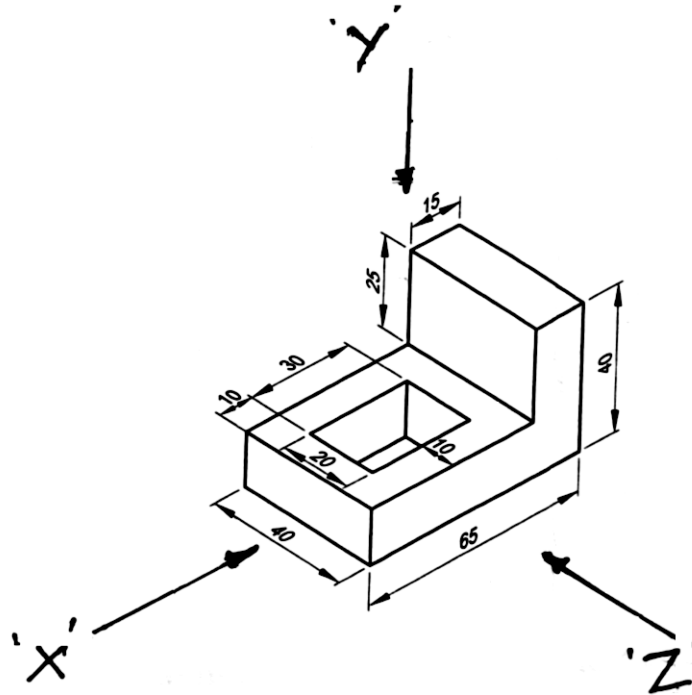
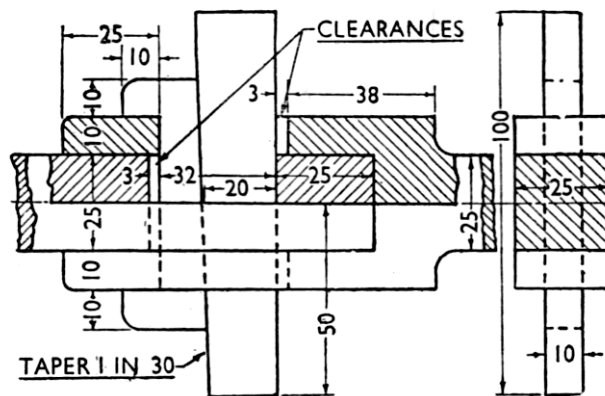


Figure No. 2

6. Figure No. 3 shows the sectional elevation of a strap joint with gib and cotter. Draw the sectional elevation of a strap joint with gib and cotter to full size (1:1 size) and mark dimensions. 10



STRAP JOINT WITH GIB AND COTTER

Figure No. 3

